

Gen IV ACE Controller Platform



ULTIMATE FLEXIBILITY FOR TOTAL CONTROL



For over 40 years AIMCO has been working with manufacturers around the world. We are the complete global source for all critical fastening and bolting solutions. AIMCO can effectively and swiftly meet your needs whether you're in Thailand fastening a 3 mm nut at 3 Nm, or in Tennessee, USA torquing the last lug nut. AIMCO provides the tools and solutions, on a global scale, that guarantee the success of your project. It is with great pride that AIMCO can say the products that we manufacture are **MADE IN THE USA.**

Visit our website www.aimco-global.com

AcraDyne GEN IV ACE Controller Platform

AIR • CORDLESS • ELECTRIC

CONTROL • MONITOR • REPORT

AcraDyne's GEN IV ACE controller platform is a single controller platform that commands all transducerized tools in the AIMCO portfolio. You now have the flexibility and freedom to control AcraDyne and Uryu DC, Air, and Battery powered tools.



The image shows the AcraDyne GEN IV ACE Controller Platform, a vertical grey device with a digital display and a touch screen. Red lines connect callout boxes to specific features on the device.

Four Digit LED Torque Display:
Large numbers can be seen from a distance.

Parameter Set Display:
Displays current parameter set and enables user to quickly change by scrolling up or down.

Secondary display allows user to easily set and toggle through information:

- Angle
- Engineering Units
- Bolt Count
- Job/Job Sequence

Optional 7" Touch-Screen Display:

- Runs the same software on PC for ease of use
- Real-Time Graphing
- Selectable Run Screens

- **The same, simple programming for all tool types**
- **No additional controller training needed for different platforms (tool type specific knowledge is required)**
- **One common communication for your global data collection, line controls, and fieldbus platforms**

System Port

- Uses standard USB Type-B cable
- Easily connect to any computer to run software, program your controller, and download data and curves

Tool Connector

- Tool connector varies by tool type

Dual Ethernet Ports

- Enables two networks simultaneously for separate line control and data collection
- Supports any industry standard protocol
- Remote system monitoring, programming, and data download

USB Ports (4)

- Backup and Restore
- Update Software
- Download Data and Curves
- Expandable USB Peripherals

Illuminated On/Off Switch

POWER CONNECTOR (110V / 220V)

Serial Port

- Data String Output
- Serial Protocols
- Bar Code Scanners
- Printers

Fieldbus Platform

- Supports CC-Link, DeviceNET, PROFINET, PROFIBUS, and all platforms offered by



24V I/O (Assignable)

- 8 In/8 Out

Mounting Bracket with Wire and Cable Routing Channels



AIR | CORDLESS | ELECTRIC



The same, simple programming for all tool types, including:

AcraDyne

- DC Tools
- Cordless Battery Tools

Uryu

- Air Powered Tools
 - Electric Tools
 - Cordless Battery Tools
- No additional controller training needed for different platforms (tool type specific knowledge is required)
 - One common communication for your global data collection, line controls, and fieldbus platforms





GEN IV ACE iEC Controller for all AcraDyne DC Tools

| MODEL* | SYSTEM PORT & REMOVABLE MEMORY | LIGHTS (L) LED DISPLAY (D) GRAPH (G) | 24V I/O ASSIGNABLE 8 X 8" | SERIAL PORT WITH PROTOCOLS | BACKUP & RESTORE (USB) | ETHERNET** TWO PORTS |
|---------|--------------------------------|--------------------------------------|---------------------------|----------------------------|------------------------|----------------------|
| iEC4E | X | L/D | | X | X | X |
| iEC4EV | X | L/D | X | X | X | X |
| iEC4EG | X | L/D/G | | X | X | X |
| iEC4EGV | X | L/D/G | X | X | X | X |

* Add (-T) to model number for top exit tool cable option. For fieldbus options add: P = Profibus, C = CC Link, D = DeviceNet, N = ProfiNet. Other fieldbus options available upon request.

** Ethernet channel supports the Open Protocol, Toolsnet, EtherNet/IP, Modbus/TCP, and other protocols.



GEN IV ACE iAC Controller for Transducerized Uryu Air Tools

| MODEL* | SYSTEM PORT & REMOVABLE MEMORY | LIGHTS (L) LED DISPLAY (D) GRAPH (G) | 24V I/O ASSIGNABLE 8 X 8" | SERIAL PORT WITH PROTOCOLS | BACKUP & RESTORE (USB) | SOLENOID SHUT OFF ON BOARD | PROGRAMMABLE REGULATOR ON BOARD | ETHERNET** TWO PORTS |
|-----------|--------------------------------|--------------------------------------|---------------------------|----------------------------|------------------------|----------------------------|---------------------------------|----------------------|
| iAC4E | X | L/D | | X | X | | | X |
| iAC4EV | X | L/D | X | X | X | | | X |
| iAC4EG | X | L/D/G | | X | X | | | X |
| iAC4EGV | X | L/D/G | X | X | X | | | X |
| iAC4ES | X | L/D | | X | X | X | | X |
| iAC4ESV | X | L/D | X | X | X | X | | X |
| iAC4ESG | X | L/D/G | | X | X | X | | X |
| iAC4ESGV | X | L/D/G | X | X | X | X | | X |
| iAC4ESR | X | L/D | | X | X | X | X | X |
| iAC4ESRV | X | L/D | X | X | X | X | X | X |
| iAC4ESRG | X | L/D/G | | X | X | X | X | X |
| iAC4ESRGV | X | L/D/G | X | X | X | X | X | X |

* Add (-T) to model number for top exit tool cable option. For fieldbus options add: P = Profibus, C = CC Link, D = DeviceNet, N = ProfiNet. Other fieldbus options available upon request.

** Ethernet channel supports the Open Protocol, Toolsnet, EtherNet/IP, Modbus/TCP, and other protocols.



GEN IV ACE iBC Controller for all AcraDyne and Uryu Transducerized Battery Tools

| MODEL* | SYSTEM PORT & REMOVABLE MEMORY | LIGHTS (L) LED DISPLAY (D) GRAPH (G) | 24V I/O ASSIGNABLE 8 X 8" | SERIAL PORT WITH PROTOCOLS | BACKUP & RESTORE (USB) | ETHERNET** TWO PORTS |
|---------|--------------------------------|--------------------------------------|---------------------------|----------------------------|------------------------|----------------------|
| iBC4E | X | L/D | | X | X | X |
| iBC4EV | X | L/D | X | X | X | X |
| iBC4EG | X | L/D/G | | X | X | X |
| iBC4EGV | X | L/D/G | X | X | X | X |

* For Zigbee option, add -Z to the end of the model number. For fieldbus options, add: P = Profibus, C = CC Link, D = DeviceNet, N = ProfiNet. Other - options available upon request.

** Ethernet channel supports The Open Protocol, Toolsnet, EtherNet/IP, Modbus/TCP, and other protocols.



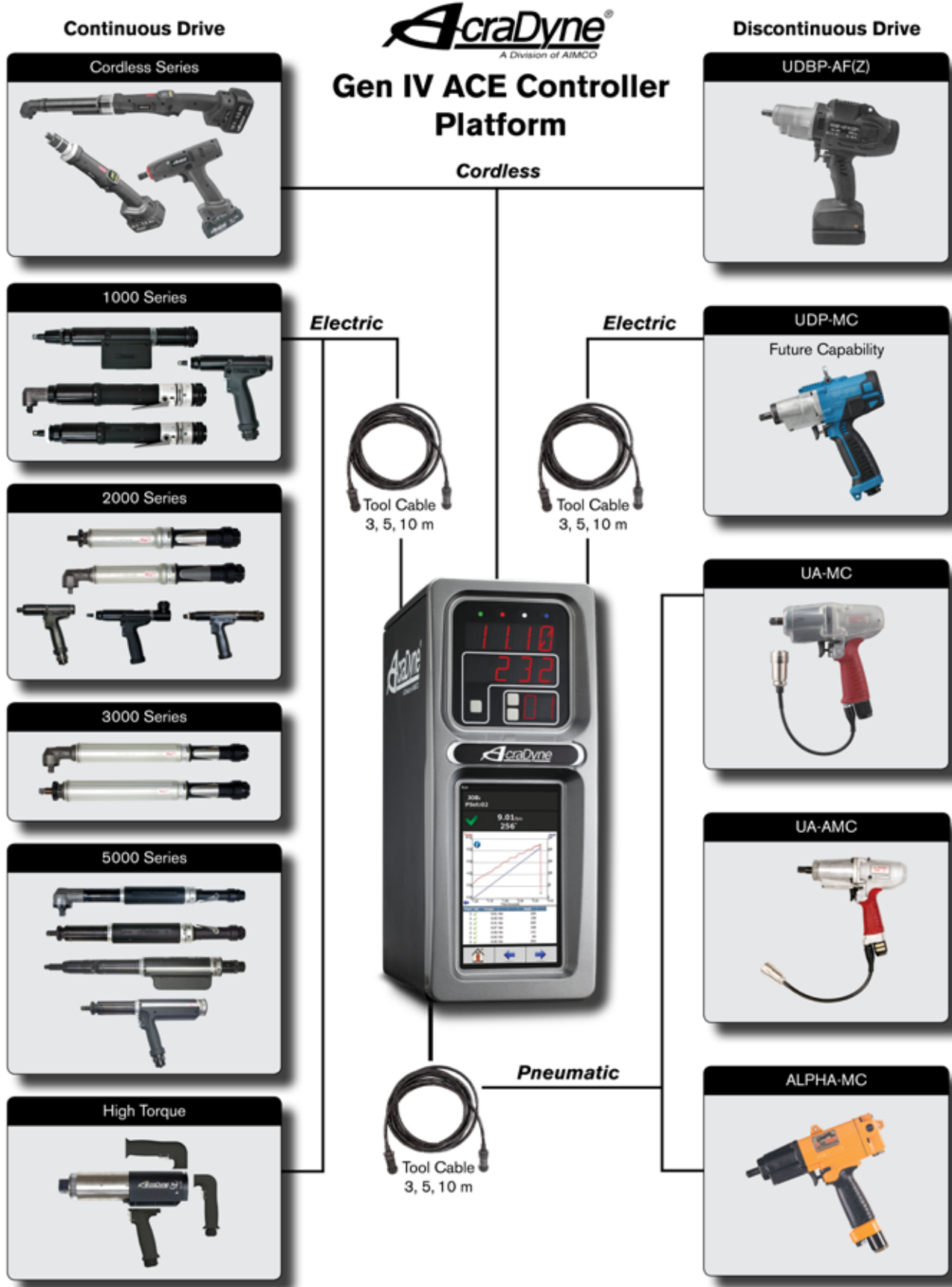
GEN IV ACE iPC Controller for Uryu UDP Transducerized DC Pulse Tools

| MODEL* | SYSTEM PORT & REMOVABLE MEMORY | LIGHTS (L) LED DISPLAY (D) GRAPH (G) | 24V I/O ASSIGNABLE 8 X 8" | SERIAL PORT WITH PROTOCOLS | BACKUP & RESTORE (USB) | ETHERNET** TWO PORTS |
|---------------|--------------------------------|--------------------------------------|---------------------------|----------------------------|------------------------|----------------------|
| iPC4E(1)(2) | X | L/D | | X | X | X |
| iPC4EV(1)(2) | X | L/D | X | X | X | X |
| iPC4EG(1)(2) | X | L/D/G | | X | X | X |
| iPC4EGV(1)(2) | X | L/D/G | X | X | X | X |

* Select (1) for 110V or (2) for 220V operation.

Add (-T) to model number for top exit tool cable option. For fieldbus options add: P = Profibus, C = CC Link, D = DeviceNet, N = ProfiNet. Other fieldbus options available upon request.

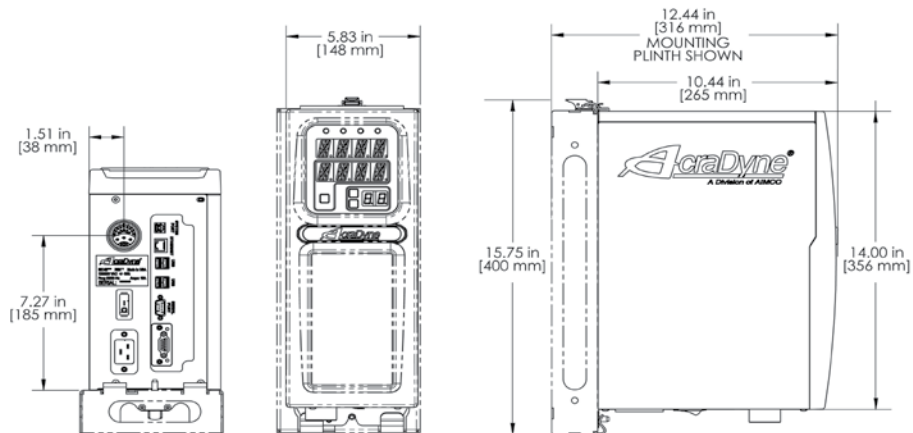
** Ethernet channel supports The Open Protocol, Toolsnet, EtherNet/IP, Modbus/TCP, and other protocols.



NETWORK CONNECTIVITY



DIMENSIONS

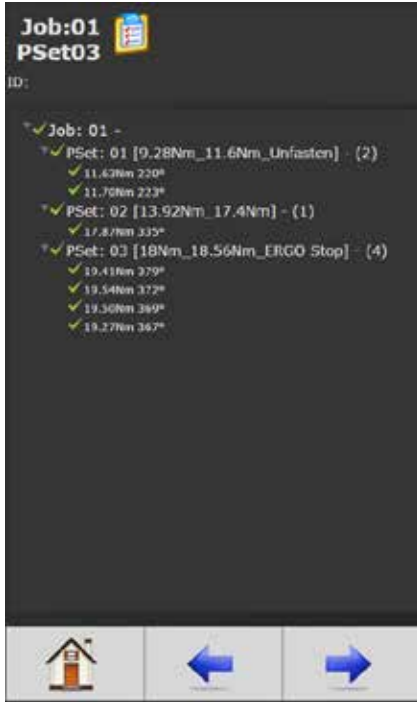


| WIDTH | HEIGHT | DEPTH | WEIGHT |
|------------------|-------------------|-------------------|-------------------|
| 5.83 in / 148 mm | 15.75 in / 400 mm | 12.44 in / 316 mm | 15.65 lb / 7.1 kg |

SOFTWARE

AcraDyne's software package is on-board every AcraDyne controller and is provided FREE of charge. This comprehensive, user-friendly program allows programming, analysis, and diagnostics.

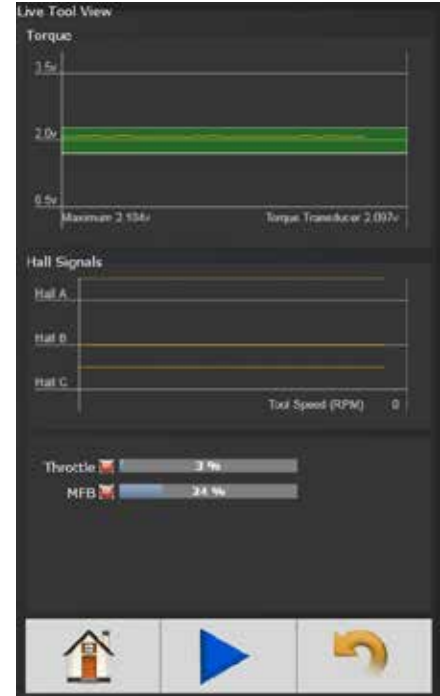
The software is based on a standard web browser, allowing you to connect the AcraDyne controller with any computer, tablet, or smart device. Connect through Ethernet, USB, or wirelessly via a network connected to both devices.



Adding and editing Parameter Sets (256) and Jobs (99) is easy and intuitive in the parameter set up function.



View curve results in real time or view stored results. As many as 20,000 curve results can be stored in memory.



Tool programming and diagnostics for repair, calibration and advanced troubleshooting.



Choose from several run screens that display easy to view, large screen indicators.



AIMCO CORPORATE HEADQUARTERS

10000 SE Pine Street
Portland, Oregon 97216
Phone: (503) 254-6600
Toll Free: 1-800-852-1368

AIMCO CORPORATION DE MEXICO SA DE CV

Ave. Cristobal Colon 14529
Chihuahua, Chihuahua. 31125
Phone: (01-614) 380-1010
Fax: (01-614) 380-1019

AIMCO EUROPE

Dibao Plaza Avenida Río Gallo, 431
19174 Galápagos - Guadalajara
Spain
Phone: +34 673 34 99 25

AIMCO CHINA

Room 607, No. 3998 Hongxin Rd
Minhang District, Shanghai
China
Phone: 0086-21-34319246
Fax: 0086-21-34319245

AIMCO SOUTH AMERICA

Calle Congreve No 800. Escobar
El Aromo. L207
Provincia de Buenos Aires
Argentina
CP: 1625
Phone: +54 9 11 3341 0543

AIMCO SOUTH KOREA

B-1213, 167, Songpa-Daero
Songpa-Gu, Seoul 05800
South Korea
Phone: 0082-2-2054-8930
Cell: 0082-10-9804-8905

LIT-AD365, REV 07-24-18, ©2018 AIMCO
PRINTED IN THE U.S.A.