

PMSA - PDSA

1.600 - 3.000 - 4.000 bar
1,8 l capacity

Series
**PMSA -
PDSA**

Hand pumps for very high pressures: 1.600 - 3.000 - 4000 bar, aluminium

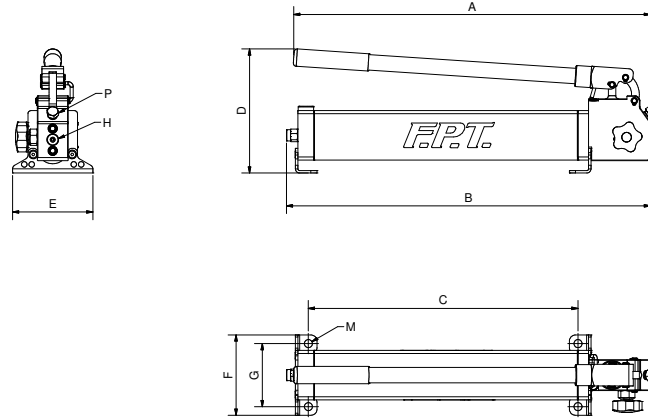


For very high pressure

- High pressure hand pumps manufactured in light alloy of aeronautical grade aluminum to minimize the weight.
- Two-stage versions 1.600 bar and 3.000 bar with first stage 40 cc oilflow for rapid approach and second stage 0.5 and 1 cc. And 0.5 cc per stroke 4,000 bar single-stage version.
- Pump body integrated pressure relief valve for maximum operator safety.
- Very high pressure, high performance, reduced effort on the handle, excellent weight and ergonomics.
- Integrated pressure gauge connection for direct mounting of the measuring tool.
- Oil filler cap with integrated breather. Tough pins with trough-holes for attachment to machinery or structures.
- Surface treatments to guarantee total reliability in the most difficult environments and maximum duration.

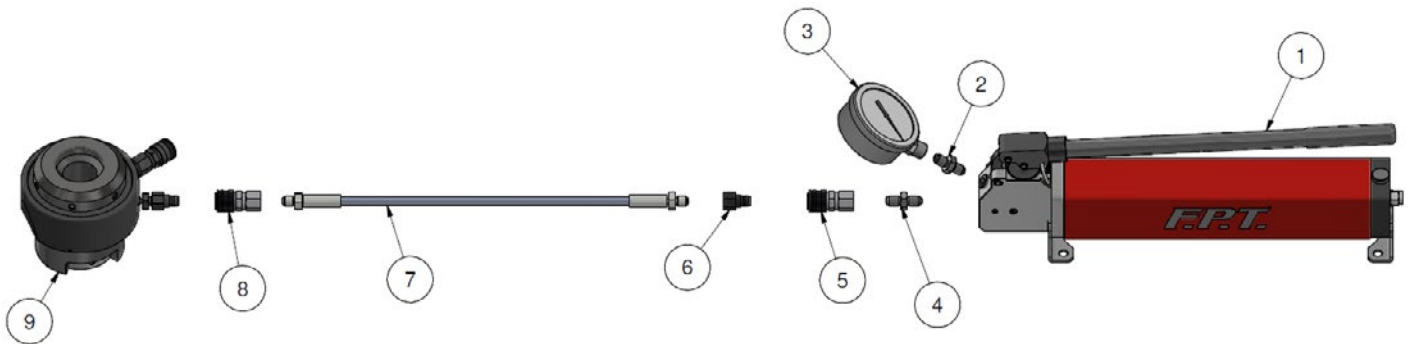
CUSTOM PUMPS ON REQUEST





PDSA 1600 - 3000 - 4000

PUMP	MODEL	PRESSURE	OIL FLOW	RESERVOIR	USABLE	DIMENSIONS in mm										WEIGHT
		1 ST /2 ND STAGE	1 ST /2 ND STAGE	CAPACITY	OIL	A	B	C	D	E	F	G	H	M	P	
		bar	cm ³	litres	litres											kg
TWO-SPEED	PDSA-1600	25/1600	40/1	1,8	1,6	577	588,5	436	200	130	130	102	1/4" GAS	13	1/2" GAS	7,8
TWO-SPEED	PDSA-3000	16/3000	40/0,5	1,8	1,6	577	588,5	436	200	130	130	102	3/4"-16 UNF	13	9/16"-18 UNF	7,8
SINGLE-SPEED	PMS-4000	4000	0,5	1,8	1,6	577	588,5	436	200	130	130	102	9/16"-18 UNF	13	9/16"-18 UNF	7,8



Configuration No.1 – Quick coupler on pump

Configuration No.2 – Flex hose directly assembled on the pump

	1500 Bar - Config.1	1500 Bar - Config.2	1600 Bar - Config.1	1600 Bar - Config.2	2500 Bar - Config.1	2500 Bar - Config.2	3000 Bar - Config.1	3000 Bar - Config.2	4000 Bar - Config.1	4000 Bar - Config.2
ITEM	CODE	CODE	CODE	CODE	CODE	CODE	CODE	CODE	CODE	CODE
1	01PDSA1600	01PDSA1600	01PDSA1600	01PDSA1600	01PDSA3000	01PDSA3000	01PDSA3000	01PDSA3000	01PMS4000	01PMS4000
2	-	-	-	-	0922225016	0922225016	0922225016	0922225016	0922225016	0922225016
3	01MD200G	01MD200G	01MD200G	01MD200G	01MD300G	01MD300G	01MD300G	01MD300G	01MD400G	01MD400G
4	0925613265	-	0925613265	-	09299199501611	0929112241	0922225257	09222199501606	0922225016	-
5	07GR15F	-	07GR20F	-	07GR25F	-	07GR30F	-	07GR40F-M16	-
6	07GR15M	-	07GR20M	-	07GR25M	-	07GR30M	-	07GR40M-M16	-
7	01TFR#/1800	01TFR#/1800	01TFR#/1800	01TFR#/1800	01TFR#/2500	01TFR#/2500	01TFR#/3000M16D	01TFR#/3000M16G	01TFR#/4000M16D	01TFR#/4000M16H
8	07GR15F	07GR15F	07GR20F	07GR20F	07GR25F	07GR25F	07GR30F	07GR30F	07GR40F-M16	07GR40F-M16
9	Utilization	Utilization	Utilization	Utilization	Utilization	Utilization	Utilization	Utilization	Utilization	Utilization

insert length of the hose expressed in meters.